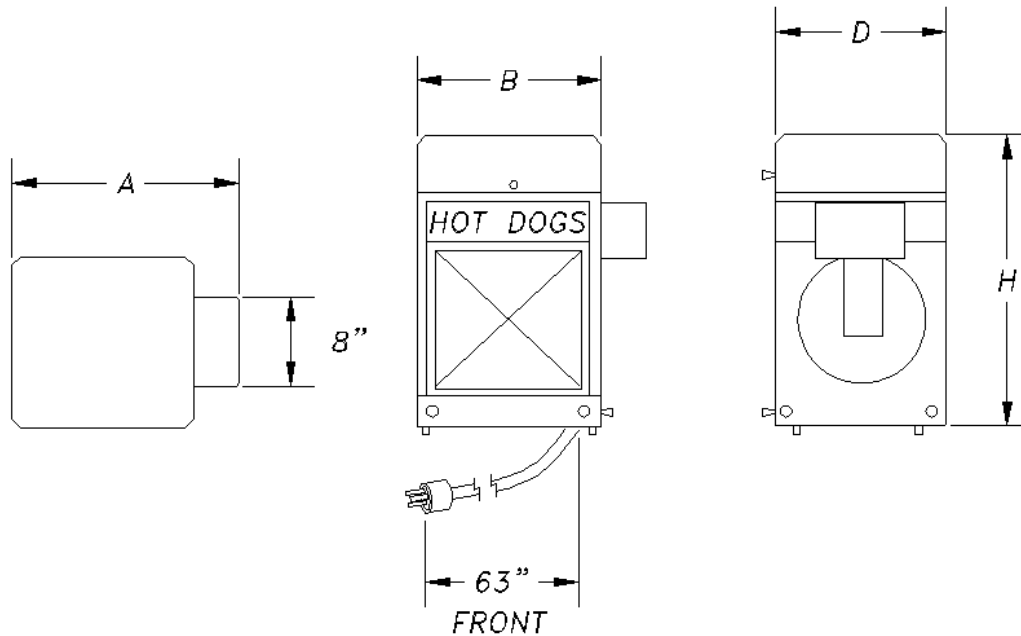


Hot Dog Rotisseries

Model 8108 – Mini Dogeroo
 Model 8102 – Dogeroo
 Model 8103 – Super Dogeroo



Electrical Specifications:

- Model No. 8108: 120V, 60Hz, 1080 Watts,
- Model No. 8102: 120V, 60Hz, 1440 Watts,
- Model No. 8103: 120V, 60Hz, 1788 Watts,
 All with 15 amp Plug (NEMA 5-15P)

<u>Dimensions:</u>	8108	A=13 1/2"	B=9 1/2"	D=15 1/4"	H = 26 1/2"
	8102	A=21"	B=17"	D=15 1/4"	H = 28"
	8103	A=27"	B=23"	D=15 1/4"	H = 28"

Features:

- Stainless Steel Cabinets with removable glass for easy cleaning
- Integrated Bun Warmer with Water Pan

Agency Approvals:

UL , CUL, CE

Gold Medal Products Co.
 10700 Medallion Drive
 Cincinnati, Ohio 45241-4807
 Phone: (513) 769-7676 Fax: (513) 769-8500

Revised 4/23/02